

BOMAX

BMCP-50 Chemical Pump Parts Price List



SHANGHAI Jiming Machinery Co.,Ltd

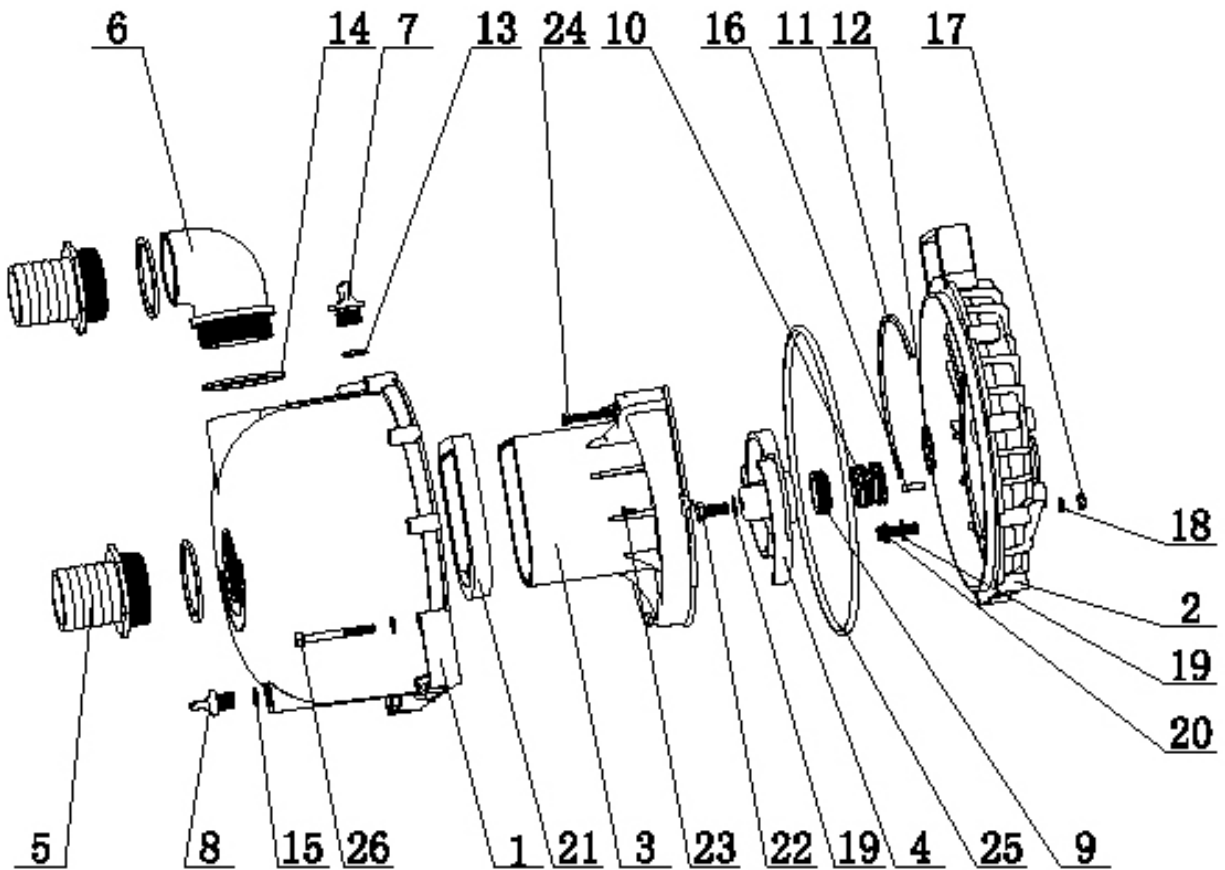
Address: Blvd.4 No.300 Youdong Rd, Shanghai, China, 201100 Tel:

86 21 54882951

Fax: 86 21 54882948

Website: www.shbomax.com

BMCP-50 Chemical Pump Parts Price List



BMCP-50 CHEMICAL PUMP PARTS LIST

Ref. No.	Description	QTY	Price(\$)/pc
BMCP-50-1	pump body (ABS)	1	
BMCP-50-2	base (ABS)	1	
BMCP-50-3	volute	1	
BMCP-50-4	impeller	1	
BMCP-50-5	inlet pipe	2	
BMCP-50-6	outlet	1	
BMCP-50-7	big plug	1	
BMCP-50-8	small plug	1	
BMCP-50-9	seal (move ring)	1	
BMCP-50-10	seal (fix ring)	1	
BMCP-50-11	sealer (half round)	1	
BMCP-50-12	O ring ϕ 40*1.5	1	
BMCP-50-13	O ring ϕ 20*2.3	1	
BMCP-50-14	gasket	3	
BMCP-50-15	O ring ϕ 18*1.7	1	
BMCP-50-16	keyway 4.78	1	
BMCP-50-17	M6 hex bolt	10	
BMCP-50-18	ϕ 6 washer	10	
BMCP-50-19	ϕ 8 copper washer	5	
BMCP-50-20	Hex bolt 5/16-24*33	4	
BMCP-50-21	one way seal gasket	1	
BMCP-50-22	Hex bolt 5/16-24*24	1	
BMCP-50-23	ϕ 4*16 screw	2	
BMCP-50-24	ϕ 5*42 screw	1	
BMCP-50-25	O ring ϕ 246*5.6	1	
BMCP-50-26	Inner hex bolt M6*60	10	