

# **BOMAX**

## **BM446-B PARTS LIST**



**SHANGHAI BOAMX ENGINEERING INC.**

Address: Blvd.4 No.300 Youdong Rd, Shanghai, China, 201100

Tel: 86 21 54882951

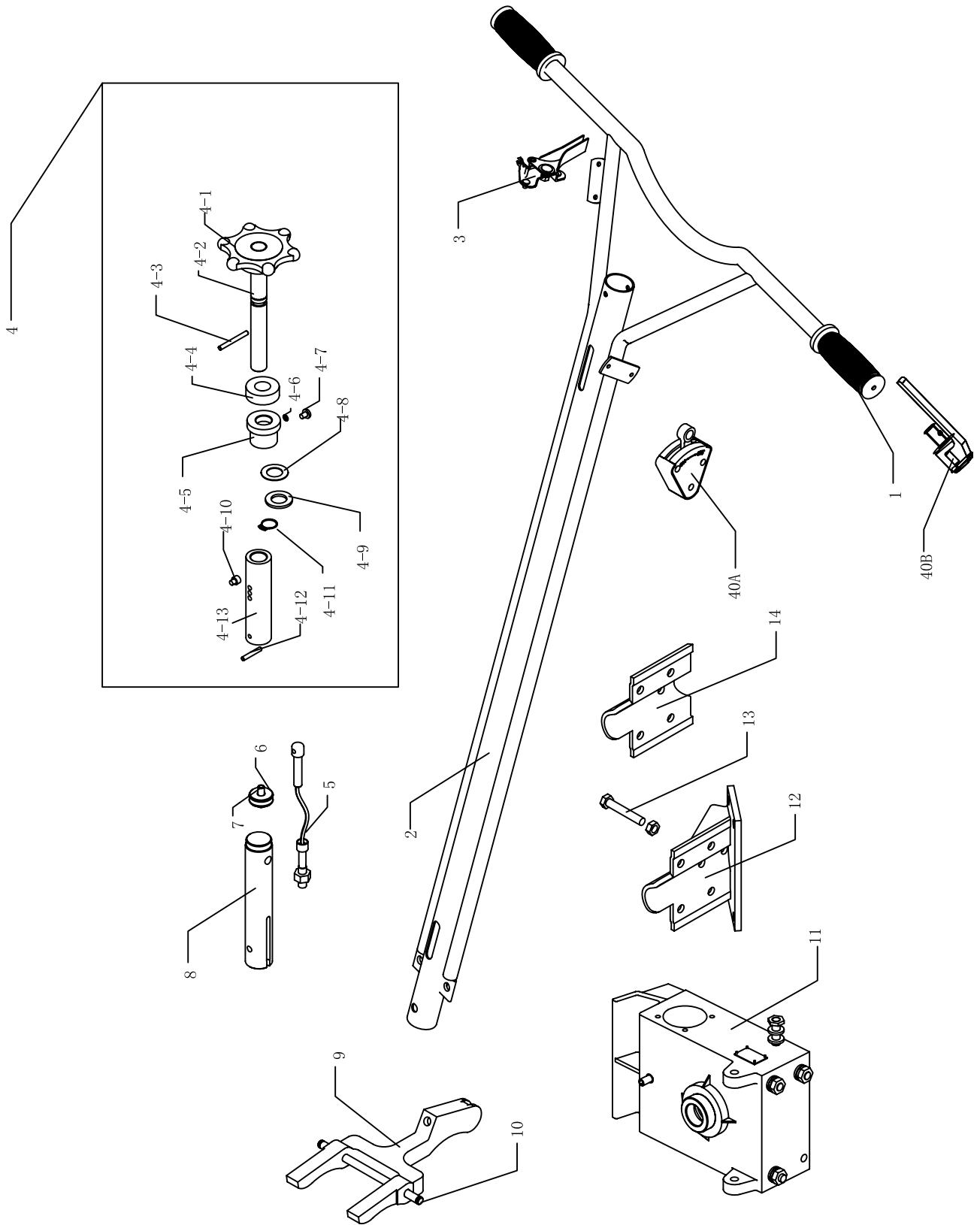
Fax: 86 21 54882948

Website: [www.bomaxengineering.com](http://www.bomaxengineering.com)

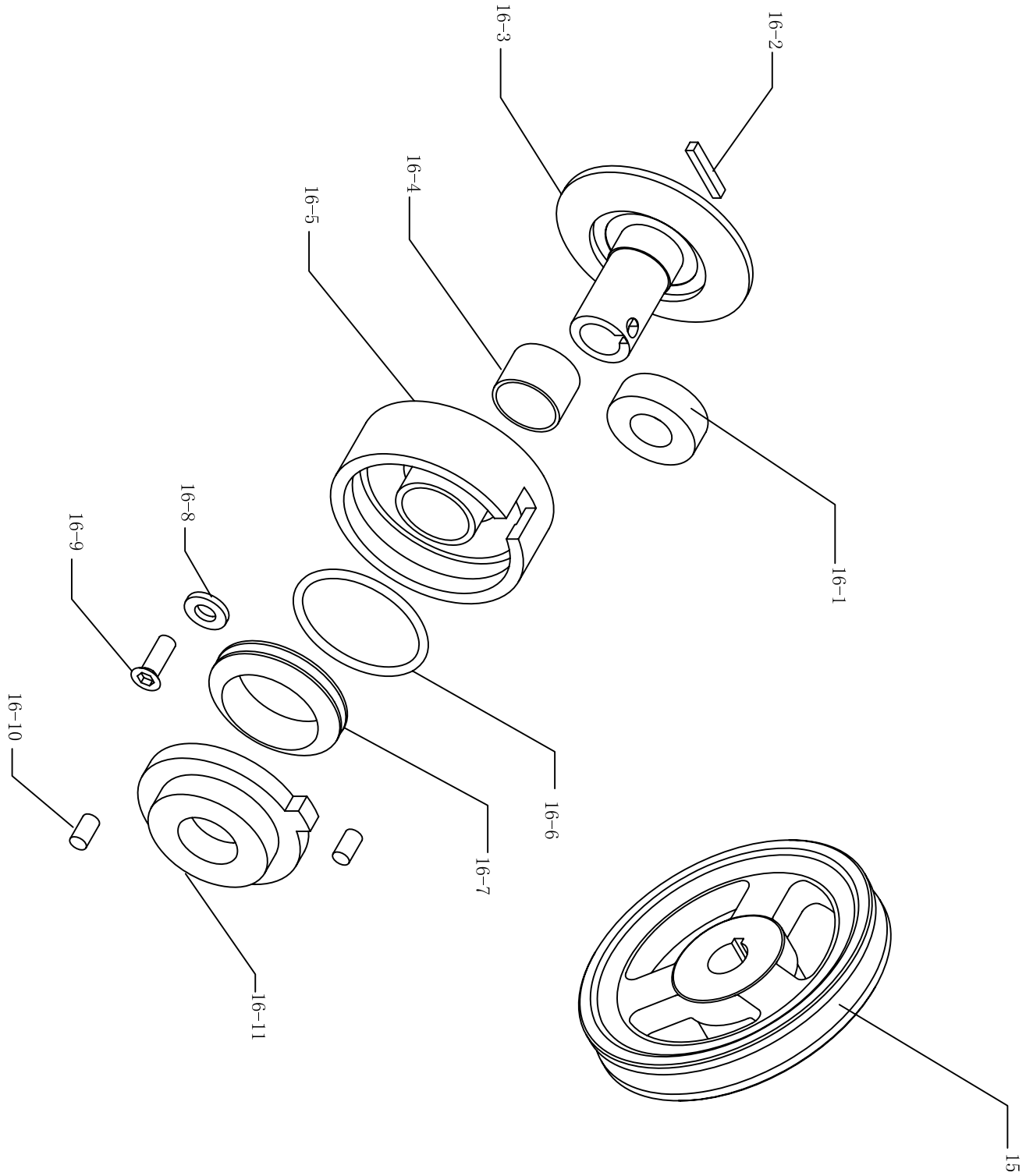
E-mail: [webmaster@bomaxengineering.com](mailto:webmaster@bomaxengineering.com)

Ver.01 2009

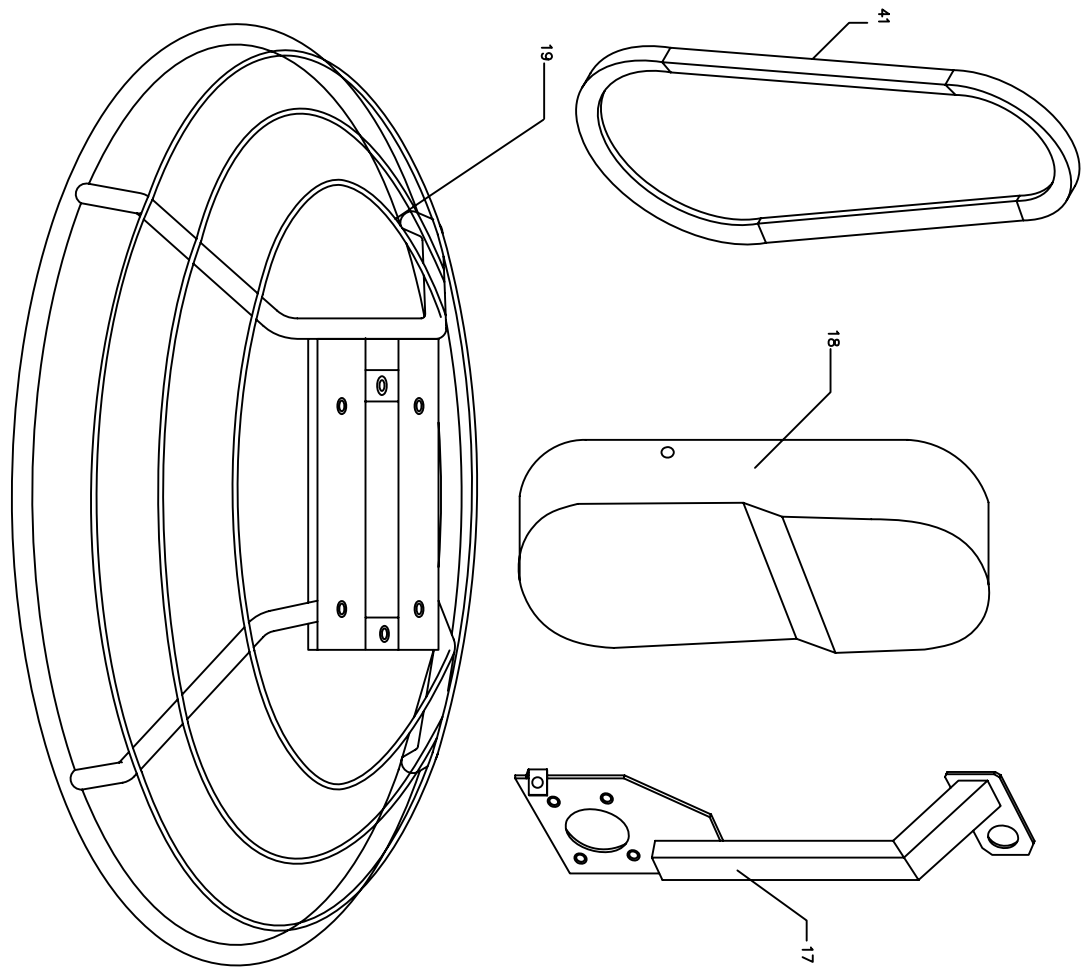
# BM446-B PARTS LIST



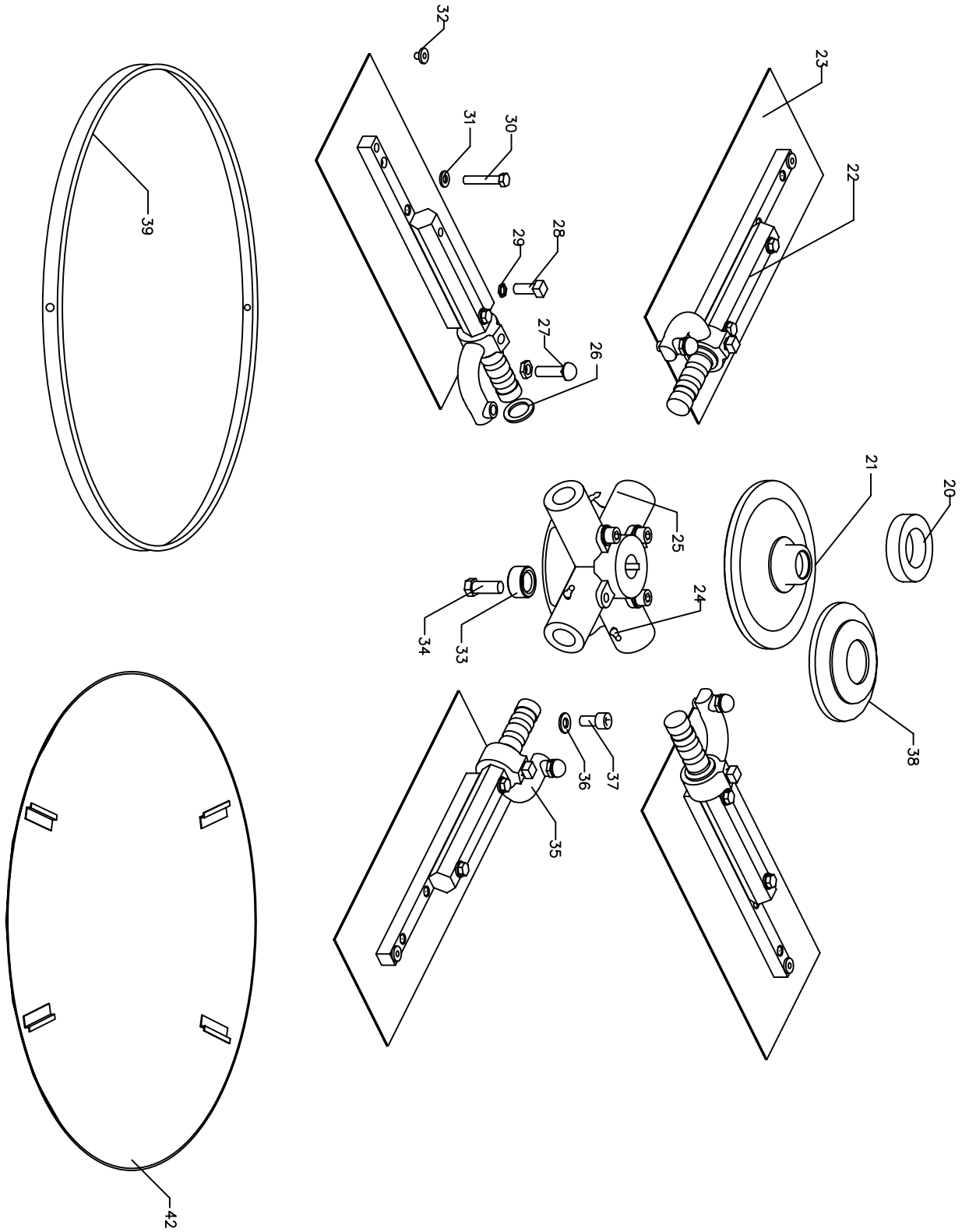
Ref. No.	Description	QTY	Price(\$)/pc
BM446-B-1	plastic handle	2	
BM446-B-2	handle assy.	1	
BM446-B-3	engine throttle control assy	1	
BM446-B-4	blades adjust assy.	1	
BM446-B-4-1	adjust wheel	1	
BM446-B-4-2	adjust bolt	1	
BM446-B-4-3	pin	1	
BM446-B-4-4	bearing	1	
BM446-B-4-5	direction pipe	1	
BM446-B-4-6	spring washer	1	
BM446-B-4-7	screw	1	
BM446-B-4-8	wave washer	1	
BM446-B-4-9	adjust bolt washer	1	
BM446-B-4-10	bolt	1	
BM446-B-4-11	shaft lock	1	
BM446-B-4-12	pin	1	
BM446-B-4-13	shaft of blades adjust	1	
BM446-B-5	adjust wire assy	1	
BM446-B-6	wheel of wire rotate	1	
BM446-B-7	pin shaft	1	
BM446-B-8	adjust screw nut	1	
BM446-B-9	yoke arm	1	
BM446-B-10	shaft of yoke arm & 2 locks	1	
BM446-B-11	gear-box	1	
BM446-B-12	low handle support plate	1	
BM446-B-13	M10 bolt & nuts	4	
BM446-B-14	upper handle support plate	1	
BM446-B-40A	stop switch assy. (US style)	1	
BM446-B-40B	stop switch assy. (European style)	1	



Ref. No.	Description	QTY	Price(\$)/pc
BM446-B-15	engine pulley	1	
BM446-B-16	clutch assy	1	
BM446-B-16-1	bearing	1	
BM446-B-16-2	clutch key	1	
BM446-B-16-3	spinde	1	
BM446-B-16-4	bushing	1	
BM446-B-16-5	drum	1	
BM446-B-16-6	clutch spring	1	
BM446-B-16-7	shoe weight	1set	
BM446-B-16-8	washer	1	
BM446-B-16-9	bolt	1	
BM446-B-16-10	screw	2	
BM446-B-16-11	face plate	1	

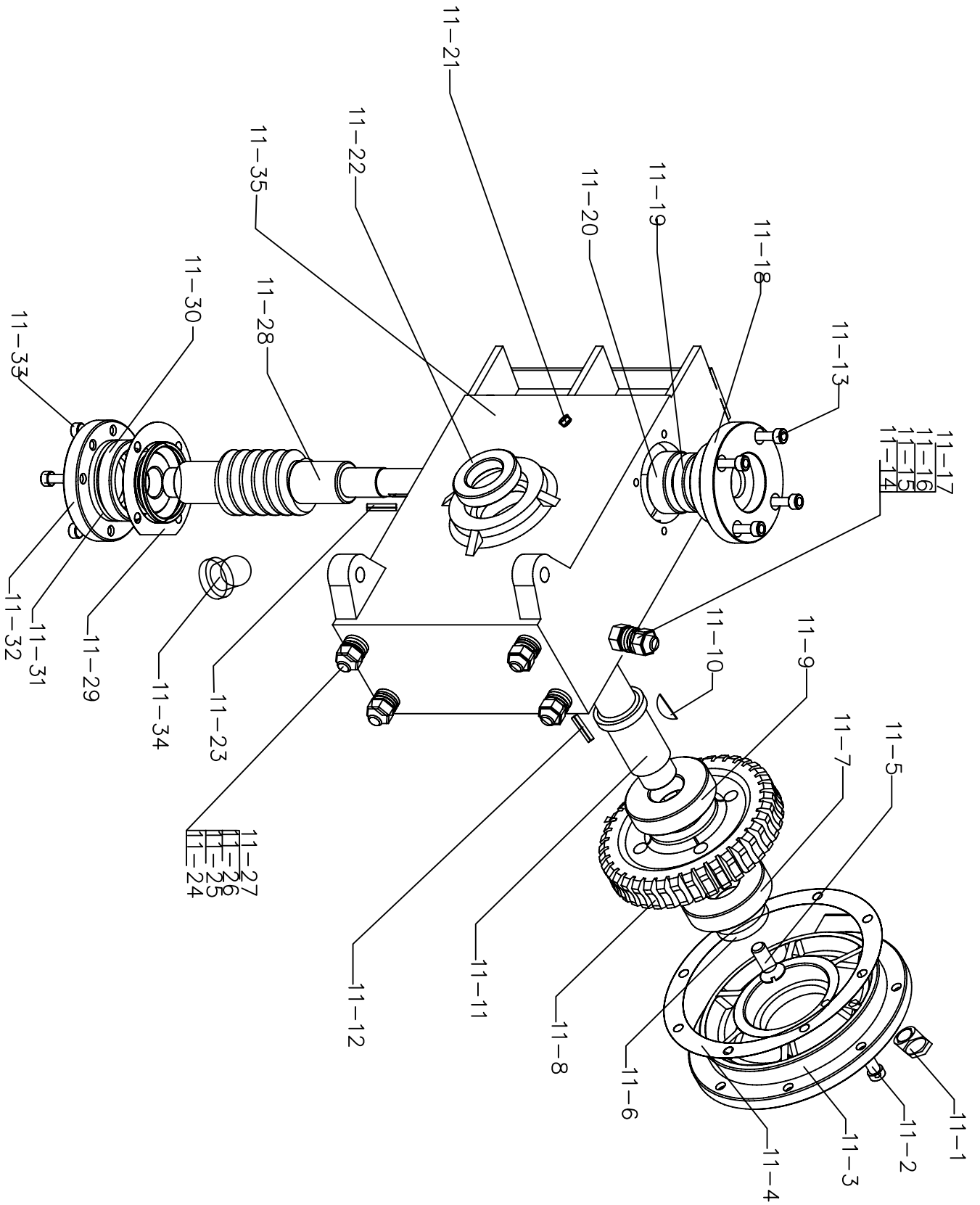


Ref. No.	Description	QTY	Price(\$)/pc
BM446-B-17	lift eye assy	1	
BM446-B-18	belt cover assy	1	
BM446-B-19	guard ring	1	
BM446-B-41	belt	1	





Ref. No.	Description	QTY	Price(\$)/pc
BM446-B-20	press plate bearing	1	
BM446-B-21	press plate	1	
BM446-B-22	blade Shaft	4	
BM446-B-23	blades sets	1set	
BM446-B-24	oil cap	4	
BM446-B-25	spider base	1	
BM446-B-26	oil seal	4	
BM446-B-27	angle arm bolt & nut	4	
BM446-B-28	square bolt	4	
BM446-B-29	nut	4	
BM446-B-30	blade bolt	4	
BM446-B-31	blade bolt spring washer	4	
BM446-B-32	blade plastic cup	8	
BM446-B-33	spider press tighten bush	1	
BM446-B-34	spider tighten bolt	1	
BM446-B-35	angle arm	4	
BM446-B-36	spring washer	4	
BM446-B-37	bolt	4	
BM446-B-38	press plate cover	1	
BM446-B-39	position ring	1	
BM446-B-42	float pan	1	



Ref. No.	Description	QTY	Price(\$)/pc
BM446-B-11	gear-box assy.	1	
BM446-B-11-1	release valve	1	
BM446-B-11-2	screw of gear-box cover	8	
BM446-B-11-3	gear-box cover	1	
BM446-B-11-4	plastic seal	1	
BM446-B-11-5	worn gear falt head screw	1	
BM446-B-11-6	main shaft press washer	1	
BM446-B-11-7	main shaft right bearing	1	
BM446-B-11-8	worn gear	1	
BM446-B-11-9	main shaft left bearing	1	
BM446-B-11-10	main shaft wood key	1	
BM446-B-11-11	main shaft	1	
BM446-B-11-12	main shaft key	1	
BM446-B-11-13	left cover tighten bolt	6	
BM446-B-11-14	belt cover bolt	1	
BM446-B-11-15	spring washer	1	
BM446-B-11-16	plate washer	1	
BM446-B-11-17	belt cover nut	1	
BM446-B-11-18	left cover	1	
BM446-B-11-19	left cover oil seal	1	
BM446-B-11-20	left cover bearing	1	
BM446-B-11-21	plug	1	
BM446-B-11-22	main shaft oil seal	1	
BM446-B-11-23	key of worn shaft	1	
BM446-B-11-24	handle mouting bolt	4	
BM446-B-11-25	handle mounting spring washer	4	
BM446-B-11-26	handle mounting plate washer	4	
BM446-B-11-27	handle mounting nut	4	
BM446-B-11-28	worn shaft	1	
BM446-B-11-29	right cover seal washer	1	
BM446-B-11-30	right cover bearing	1	
BM446-B-11-31	right cover oil ring	2	
BM446-B-11-32	right cover	1	
BM446-B-11-33	right cover bolt	6	
BM446-B-11-34	oil level check	1	
BM446-B-11-35	gear-box shell	1	