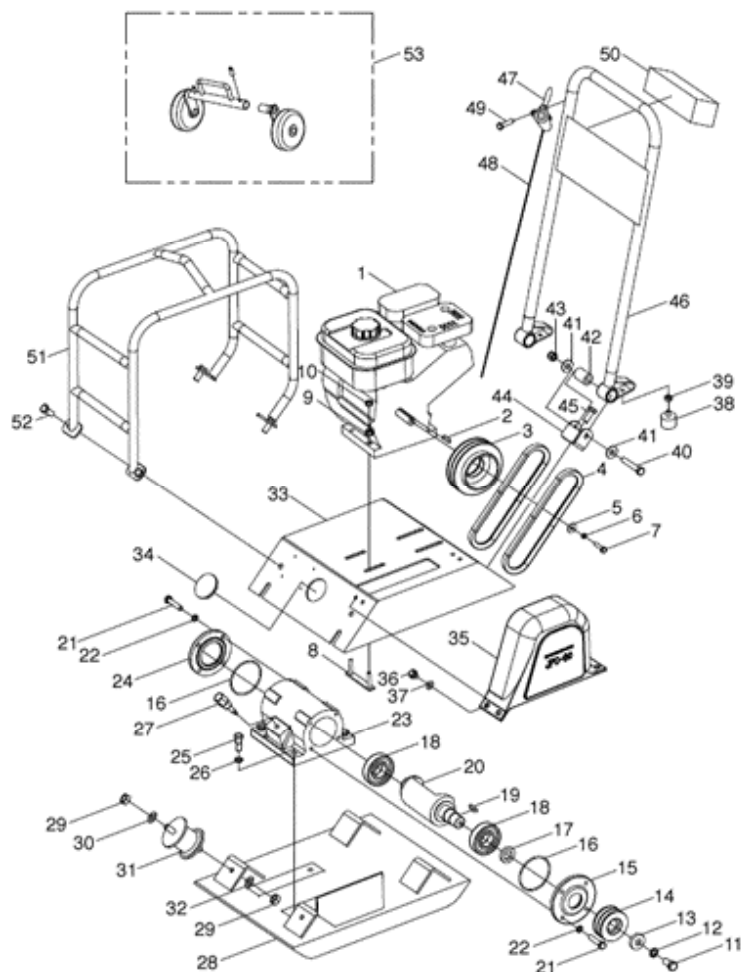


12. Components and Part list



REF	Description	Q'TY	Dimension
1	Engine	1	Honda GX160/ Robin EX17
2	Key	1	5 x 5 x 20m/m(square)
3	Centrifugal Clutch	1	18, 19, 20m/m
4	V-Belt	2	A30
5	Washer	1	8m/m
6	Spring Washer	1	8m/m
7	Bolt	1	8 x 40m/m
8	Engine Fitting Bolt Set	2	8 x 50m/m (specialty steel)
9	Flange Nut	4	8m/m
10	Nut	8	8m/m
11	Pulley Fitting Bolt	1	12 x 20m/m
12	Spring Washer	1	12m/m
13	Washer	1	12m/m
14	Pulley	1	*
15	Housing Cover "A"	1	*
16	O-Ring	2	G80
17	Oil Seal	1	32 x 48NOK
18	Bearing	2	6307OP
19	Key	1	*
20	Vibrating Shaft	1	*
21	Housing Cover Fitting Bolt	8	8 x 25m/m (specialty steel)
22	Spring Washer	8	8m/m
23	Vibratory Housing	1	*
24	Housing Cover "B"	1	*
25	Bolt	4	12 x 40m/m (specialty steel)
26	Spring Washer	4	12m/m
27	Oil Cap (Gauge)	1	*

REF	Description	Q'TY	Dimension
28	Vibrating Plate	1	545 x 420m/m
29	Lock Nut	8	10m/m
30	Washer	4	10m/m
31	Rubber Isolator "A"	4	10m/m
32	Spring Washer	4	10m/m
33	Engine Base Ass'y	1	520 x 450 x 110m/m
34	Rubber Cap	1	*
35	Belt Cover	1	*
36	Flange Bolt	4	8 x 20m/m
37	Washer	4	8m/m
38	Catching Rubber	2	*
39	Nut	2	*
40	Bolt	2	12 x 70m/m
41	Washer	4	12m/m
42	Rubber Isolator "B"	2	*
43	Lock Nut	2	12m/m
44	Handle Bracket	1	780 x 375m/m
45	Bolt	1	*
46	Handle		
47	Speed Control Bar		
48	Speed Control Bar Lever Cable	1	*
49	Speed Control Bar Fitting bolt	1	*
50	Tool Bag		
51	Frame	1	*
52	Bolt	4	*
53	Transfer Wheel Set	1	OPTION